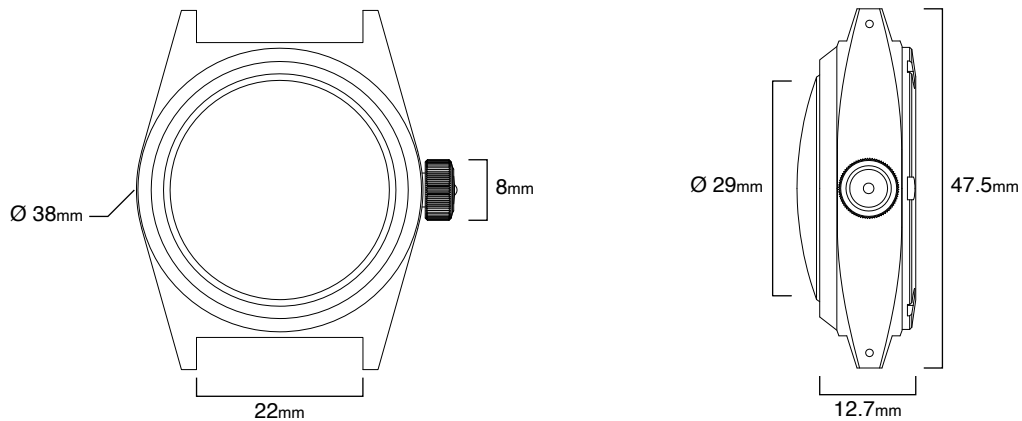


MODELLO DUE
Ref. U2-RA

Limited edition of 100 pieces
Swiss movement
Made in Italy
2 years warranty

UNIMATIC®



PRODUCT NAME	Modello Due U2-RA
TYPE	Field watch
WATER RESISTANCE	300m = 1000ft = 30atm WR
ORIGIN	Made in Italy
TESTING	Singularly tested for accuracy and water resistance
EDITION	Individually numbered, edition of 100
CASE SIZE	38 mm
LUGS / STRAP SIZE	Drilled lugs / 22mm
CASE MATERIAL	316 stainless steel
CASE FINISHING	Black DLC brushed finish
BEZEL	No bezel
CASEBACK	Italian rationalism screw-down caseback
CROWN	Alchemical Sun ☉ 8mm screw-down
LENS DESCRIPTION	2.7 mm thick ultra double domed sapphire
LENS TREATMENT	Inner side anti-reflective coating
DIAL BASE	Matte black scientific dial
DIAL FEATURES	Glossy white open second, minute, hour rail and dial trims
HANDS	Glossy white skeleton H+M+S
CALIBER TYPE	Automatic caliber Seiko NH35A
CALIBER FREQUENCY	21600bph
CALIBER FEATURE	Hacking seconds hand
CALIBER WINDING	Self-winding/ manual winding
CALIBER JEWELS	24
ACCURACY	-20/+40 s/day
POWER RESERVE	41h
STRAP BASE	Black quick-release calf leather two-piece strap
STRAP HARDWARE	DLC black brushed finish hardware signed UNIMATIC
PRODUCT KIT	UNIMATIC tough case, warranty card with unique ID seal