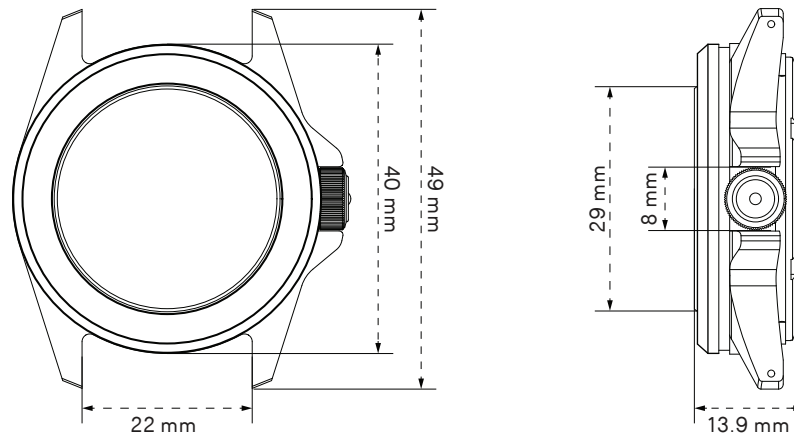


**MODELLO
QUATTRO**
Ref. U4-BTS

*Limited edition of 100 pieces
Made in Italy
2 years warranty*

UNIMATIC®



REFERENCE	Modello Quattro U4-BTS
TYPE	Unimatic x BAIT
ORIGIN	Made in Italy
TESTING	Singularly tested for accuracy and water resistance
EDITION	Individually numbered, edition of 100
WATER RESISTANCE	300m = 1000ft = 30atm
SIZE	Diameter 40mm
CASE THICKNESS	13.8mm
LUGS / STRAP SIZE	Drilled lugs / 22mm
CASE MATERIAL	316 stainless steel
CASE FINISHING	Bead blasted
BEZEL	Fixed monoblock bezel
CASEBACK	Unimatic x BAIT screw-down caseback
CROWN	Alchemical Sun ☉ 8mm screw-down
LENS DESCRIPTION	2.8mm thick flat sapphire
LENS TREATMENT	Inner side anti-reflective coating
DIAL BASE COLOR	Albino crossedged dial
LUMINOUS COLOR	Super-LumiNova® C1 white on H+M hands
DIAL TRIMS	Black chemin de fer and dial trims
HANDS	Metallic silver brushed ladder phantom H+M, reverse metallic blue brushed lollipop S
CALIBER	Automatic caliber Seiko NH35A 21600bph
CALIBER FEATURES	Hacking seconds hand bi-directional automatic + handwinding
CALIBER JEWELS	24
ACCURACY	-20/+40 s/day
POWER RESERVE	41h
ANTIMAGNETISM	Antimagnetic ≥ 4800 A/m
STRAP BASE	Blue capri Unimatic two-piece strap
EXTRA STRAP	Black heavy-duty Unimatic nylon nato strap
STRAP HARDWARE	Stainless steel bead blasted hardware signed UNIMATIC
PRODUCT KIT	Unimatic tough case, warranty card with unique ID seal