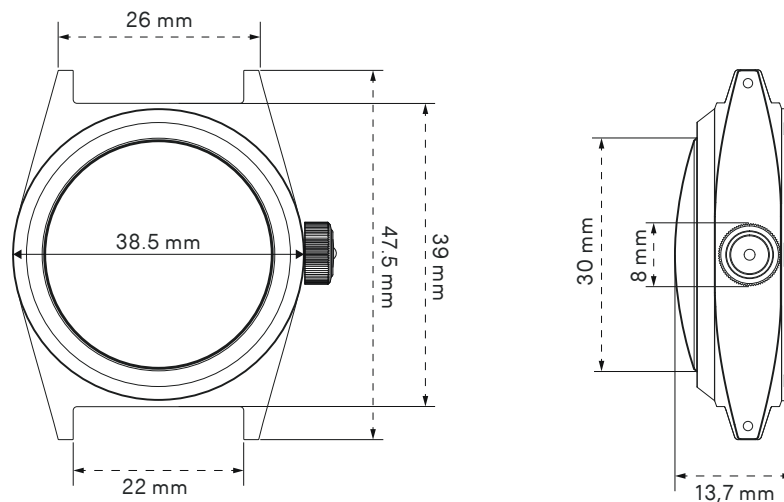


MODELLO DUE
Ref. U2-B

Limited edition of 400 pieces
Made in Italy
2 years warranty

UNIMATIC®
UNIQUE EDITION WATCHES



PRODUCT NAME	Unimatic Modello Due U2-B
TYPE	Field watch
WATER RESISTANCE	300m = 1000ft = 30atm WR
ORIGIN	Made in Italy
TESTING	Singularly tested for accuracy and water resistance
EDITION	Individually numbered, edition of 400

CASE SIZE	38.5 mm
LUGS / STRAP SIZE	22mm
CASE MATERIAL	316 stainless steel
CASE FINISHING	Bead blasted finish
BEZEL	Fixed monoblock bezel
CASEBACK	Unimatic Angular Mil screw-down caseback
CROWN	Alchemical Sun ☉ 8mm screw-down
LENS DESCRIPTION	2.7 mm thick ultra double domed sapphire
LENS TREATMENT	Inner side anti-reflective coating
DIAL BASE COLOR	Black matte high-readability dial
LUMINOUS COLOR	Super-LumiNova® C1 white
DIAL TRIMS	Off-white open second rail and dial trims
DATE	No date
HANDS	Black straight phantom H+M, black reverse lollipop S

CALIBER TYPE FREQUENCY	Automatic calibre Seiko NH35A
CALIBER FREQUENCY	21600 bph
CALIBER FEATURE	Hacking seconds hand
CALIBER WINDING	Bi-directional automatic + handwinding
CALIBER JEWELS	24
ACCURACY	-20/+40 s/day
POWER RESERVE	41h
ANTIMAGNETISM	Antimagnetic ≥ 4800 A/m

STRAP BASE	Grey heavy-duty Unimatic nylon two pieces strap
STRAP EXTRA	Black Unimatic rubber double-face strap
PRODUCT KIT	Unimatic box and outer-box, instruction manual, warranty card with unique ID seal, cloth