

MODELLO UNO

Ref. U1-B

Limited edition of 200 pieces

Made in Italy

2 years warranty

300M = 1000ft = 30atm WR

120 clicks mono-directional security bezel

2.5 mm thick double domed sapphire

Inner side anti-reflective coating

316 stainless steel case

Brushed finish

Ultra matte high-readability maxi dial

Super-LumiNova® old radium lume

Gilt closed second rail and dial trims

Automatic calibre Seiko NH35A

21600 bph

Hacking seconds hand

Bi-directional winding

Accuracy -20/+40 s/day

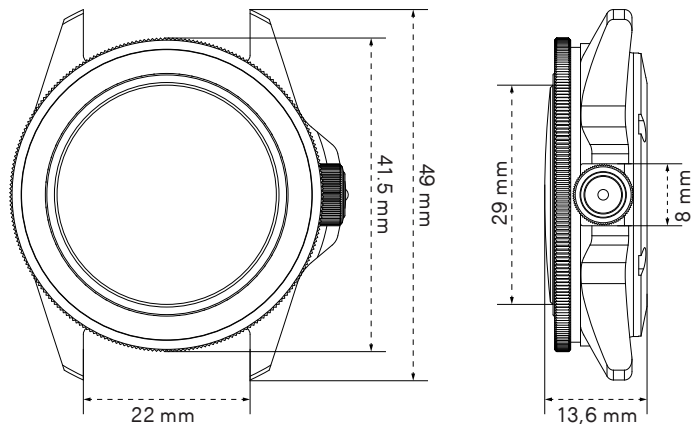
41h power reserve

Antimagnetic ≥ 4800 A / m

Heavy-duty nylon nato strap with SS custom buckle

Unimatic conversion scale screw-down caseback

Individually numbered between the lugs



UNIMATIC