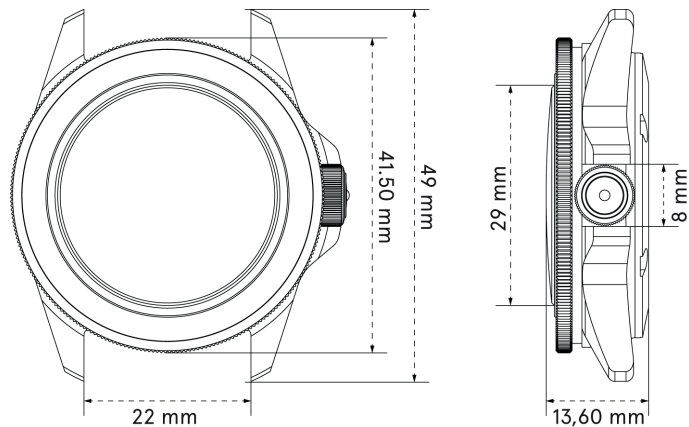


Modello Uno
Ref. U1-A

Limited edition of 300 pieces
Made in Italy
2 years warranty

300M = 1000ft = 30atm WR
weight 190 g
120 clicks mono-directional security bezel double domed sapphire, inner side anti-reflective coating
316 stainless steel case solid end links stainless steel bracelet
deployant clasp with safety lock and diver extension
ultra matte high-readability dial
Super-LumiNova® C3 lume
automatic calibre Seiko NH35A
21600 bph hacking seconds hand
bi-directional winding accuracy -20/+40 s/day
41h power reserve
antimagnetic ≥ 4800 A / m



UNIMATIC